
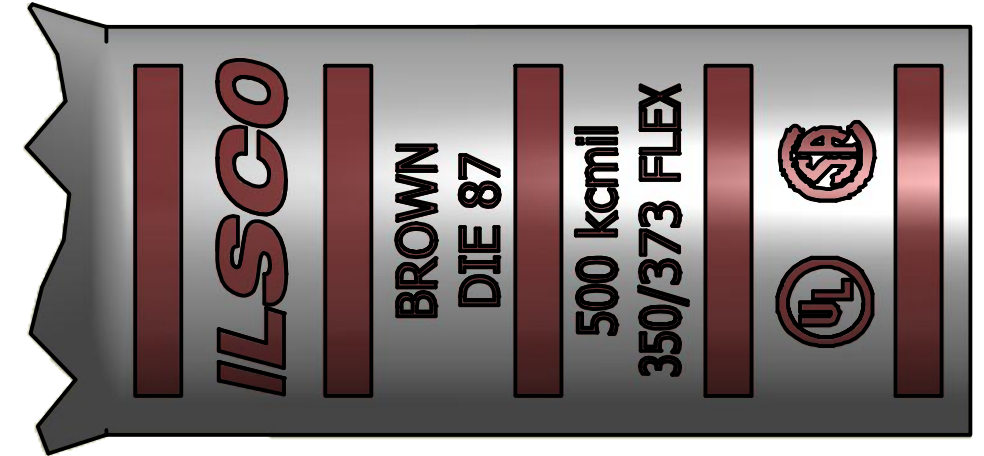
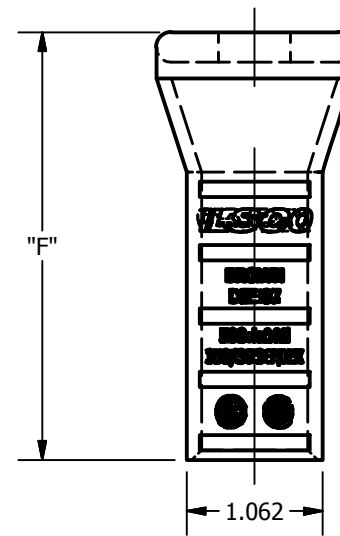
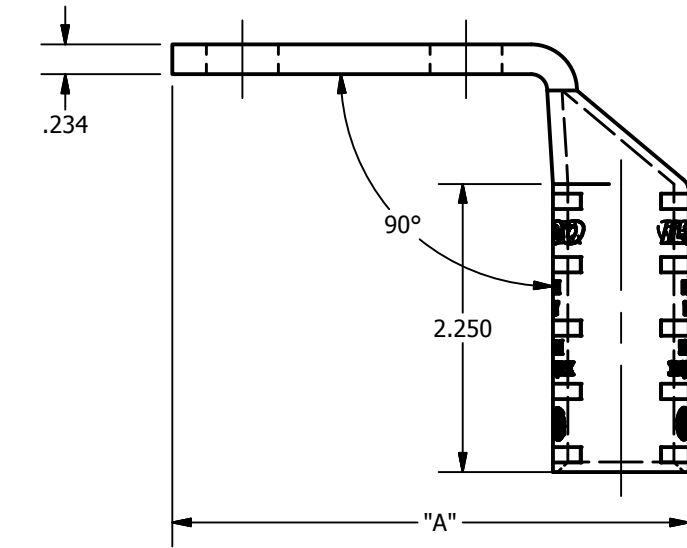
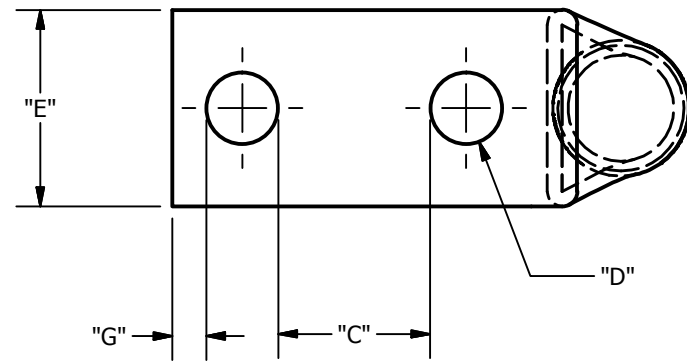


SCREW: NONE	MATERIAL: COPPER	REV: H	 800-776-9775 www.ilSCO.com
CAT. NO.: SEE CHART	PLATING: EL-TIN	DRAWN BY:DW SCALE: NTS	
INFORMATION SHEET:FORM 157	MARKING: SEE CHART	DATE:6/3/2008 SIZE: B	
			DWG NO: Y1503-D-9
			SHEET: 1 OF 1



DETAIL C  
INK MARK TOP & BOTTOM

CATALOG NUMBER	"A"	"C"	"D"	"E"	"F"	"G"	TANG MARKING
CLNB-500-14-12-9	2.466	0.219	0.281	1.535	3.386	0.180	
CLNB-500-14-58-9	2.653	0.344	0.281	1.535	3.386	0.180	
CLNB-500-14-34-9	2.653	0.469	0.281	1.535	3.386	0.180	
CLNB-500-14-1-9	2.903	0.719	0.281	1.535	3.386	0.180	
CLNB-500-516-58-9	2.653	0.282	0.343	1.535	3.386	0.180	
CLNB-500-516-34-9	2.903	0.407	0.343	1.535	3.386	0.180	
CLNB-500-516-78-9	2.903	0.532	0.343	1.535	3.386	0.180	
CLNB-500-516-1-9	3.153	0.657	0.343	1.535	3.386	0.180	
CLNB-500-516-134-9	3.716	1.407	0.343	1.535	3.386	0.180	
CLNB-500-38-34-9	2.903	0.344	0.406	1.535	3.386	0.211	
CLNB-500-38-78-9	3.153	0.469	0.406	1.535	3.386	0.211	
CLNB-500-38-1-9	3.153	0.594	0.406	1.535	3.386	0.211	ILSCO, CLNB-500-38-1-9, 3/8 X 1, DIE 87, 500 kcmil, 350/373 FLEX, UL, CSA
CLNB-500-38-116-9	3.153	0.656	0.406	1.535	3.386	0.211	
CLNB-500-38-118-9	3.341	0.719	0.406	1.535	3.386	0.211	
CLNB-500-38-134-9	3.841	1.344	0.406	1.535	3.386	0.211	
CLNB-500-38-2-9	4.216	1.594	0.406	1.535	3.386	0.211	
CLNB-500-12-1-9	3.341	0.438	0.562	1.535	3.386	0.265	
CLNB-500-12-114-9	3.716	0.688	0.562	1.535	3.386	0.265	
CLNB-500-12-112-9	3.841	0.938	0.562	1.535	3.386	0.265	
CLNB-500-12-134-9	4.216	1.188	0.562	1.535	3.386	0.265	ILSCO, CLNB-500-12-134-9, 1/2 X 1-3/4, 500 kcmil, 350/373 FLEX, DIE 87, UL, CSA
CLNB-500-12-178-9	4.216	1.313	0.562	1.535	3.386	0.265	